

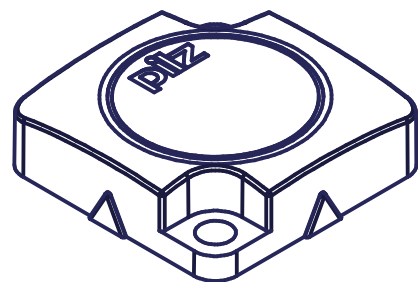
1

2

3

4

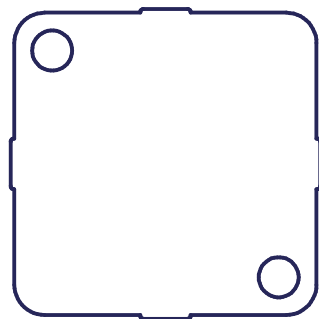
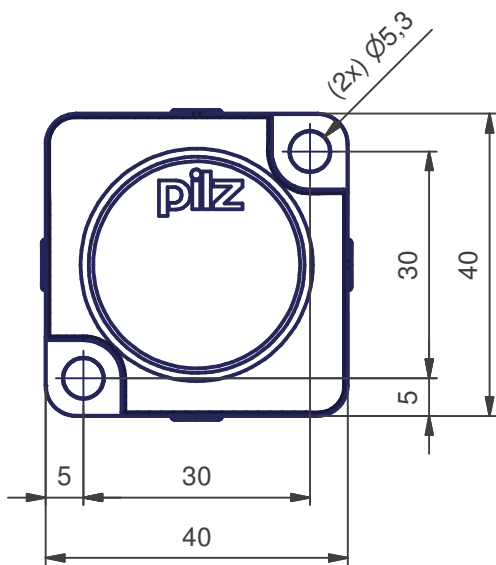
A



B



C



D



A	H1000253	09.09.2011	EP-MK	EP-MK	Zeichnung geändert / Drawing modified				
Index	Change no.	Date	Editor	Checked	Changes				
Scale			Created	Date	Name	Internet Dokument			
1:1						09.09.2011	EP-MK	Internet document	
Material						09.09.2011	EP-MK	A 40 x 40 x 11 mm	
Surface			Unspecified tolerance		All dimensions are in mm				
Replaced by					Sustitute for		Index	Page	Pg.
					H302846		A	1	1

Observe protection note to DIN 34